



**ARIOSTEA MHS®**



MIXING PLANTS FOR SOFT PVC



# About us

**ARIOSTEA MHS**, based in Reggio Emilia (Italy), is a worldwide leader in bulk material handling systems, for the Plastic and Chemical industries.

In every plants we build we put our know-how, our inventiveness and our passion, developed in more than 60 years of experience and thanks to over 1.000 plants delivered all over the world.

From the USA to Japan, from Russia to South America **ARIOSTEA MHS** can develop and deliver the right solution for your production needs.

Engineering, design, fabrication, delivery, installation, commissioning, and at the end, production startup, are done at the highest and most efficient level, thanks to our highly skilled employees, to guaranty the highest success for our customers.

In **ARIOSTEA MHS** it doesn't matter what you have to handle or what you make: flexibility is our key word. From a grain storage system in the middle of the desert, to a PET recycling plant in harsh and cold environment, you can count on **ARIOSTEA MHS** because we have already done it.

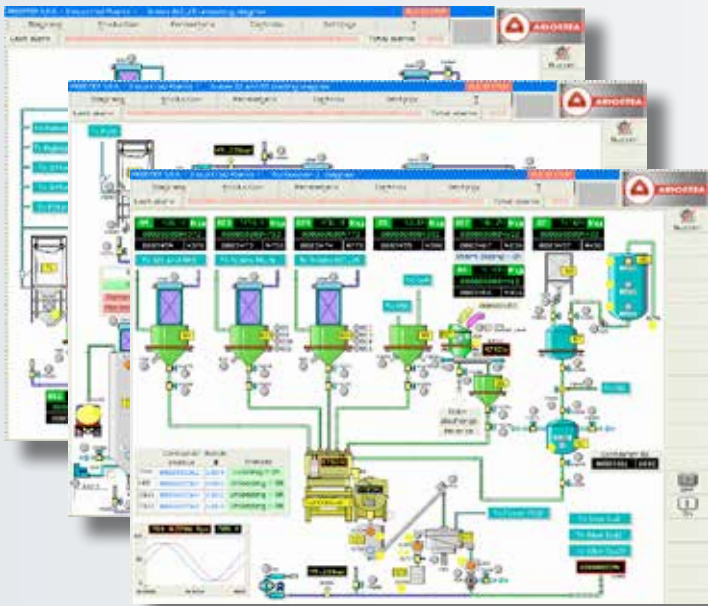
**ARIOSTEA MHS** srl is the best commercial partner both for global corporation and small and medium-sized enterprise. We assure you the technological progress of your company: from design to manufacturing to after sales service only one partner, because our goal is to establish a long-lasting, successful partnerships with our customers.

# Our Services

## PROJECT ENGINEERING

With an in-house team of mechanical engineers, electric and software engineers, and with a state of the art R&D and production facilities, we can provide total solutions from the initial design through manufacturing, installation and plant start-up

**ARIOSTEA MHS** is constantly searching for new and improved process equipments to serve the customer needs in the best way possible.



## AFTER SALE SERVICE

**ARIOSTEA MHS** always provides a superior aftersales service to its customers, by means of an efficient and prepared team of technicians that will process the customer request the same day by supplying genuine **ARIOSTEA MHS** spare parts, and by having available a team of electronic technicians for remote assistance with teleservice from our premises.

The access by teleservice, will allow to an **ARIOSTEA MHS** technician in remote connection to diagnose and fix problems on the PLC and SCADA softwares, to verify possible incorrect operations of the system and to install minor software modifications.



## PROCESS CONTROL

**ARIOSTEA MHS** plants are supplied with a user friendly and performative supervision SCADA system. The SCADA software, which resides into the personal computer, and it interacts with the PLC software and with the data management software called GESTORE, it manages the following functionality:

- Graphical visualization of the system with multiple pages, and with the animation of the working process.
- Manual control of every single machine.
- set-up of the Parameters for the system operation and for production, with automatic backup;
- Alarms visualization, with historical data recording and statistics;
- In line help with on screen user manual;



# Mixing plants for soft PVC

Every **ARIOSTEA MHS** plant is developed according to the client specific requirements, and is realized through our custom oriented engineering and through the application of innovative technologies.

The knowledge we have acquired with more than 60 years of material handling plants manufacturing, are the key to providing ideal solution whatever the challenges are, with always in mind that the customer success is our goal.

From the most complex with high output plants, to the most simple, always the right solution for the production of soft PVC.



**OIL WEIGHING SYSTEM**

## PVC MIXING PLANTS FOR

- Soft PVC Compound
- Eco Membrane
- Hoses
- Cables sheath



**STORAGE SILOS**



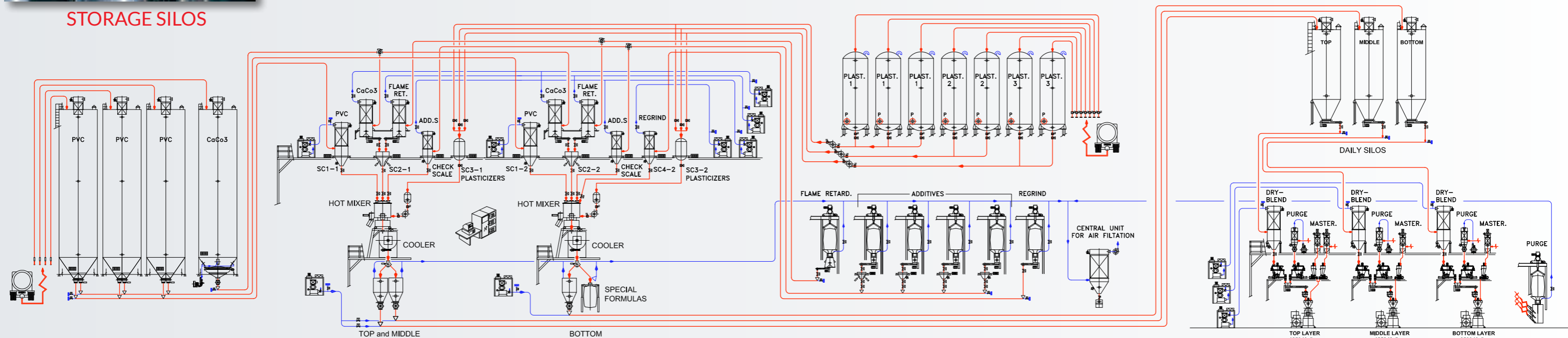
**OIL TANKS**



**ADDITIVE STORAGE**



**EXTRUDER LOADING**



# ARIOSTEA MHS PROJECTS IN THE WORLD




**ARIOSTEA MHS SRL**

Via della Tecnica, 10 , 42015 Prato di Correggio (RE), Italy

 [www.mhs.ariostea.com](http://www.mhs.ariostea.com)

 [sales@mhs.ariostea.com](mailto:sales@mhs.ariostea.com)

 +39 0522 696689